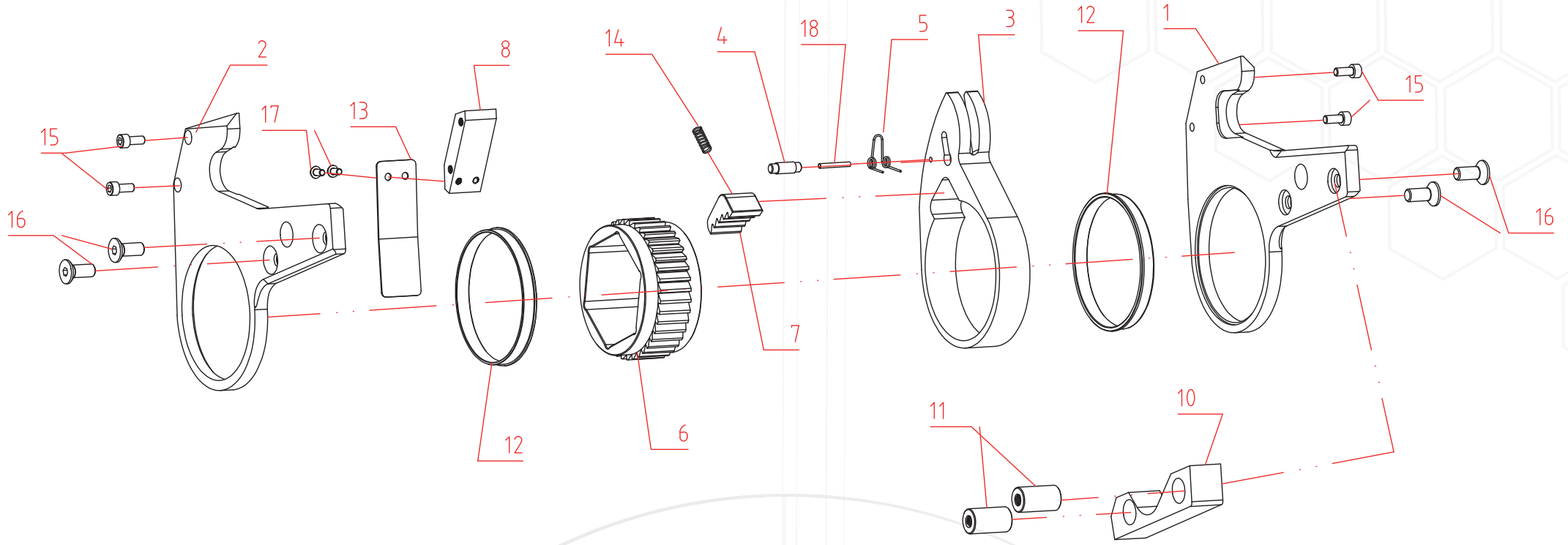


*7,8,9,10,11,17 NUMBERED PARTS INCLUDED IN SEAL KIT.

#	Part No	Description	Qty
1	SPH54P-01	BODY ASSEMBLY	1
2	SPH54P-02	PISTON	1
4	SPH54P-04	SLIDER	2
5	SPH54P-05	SLIDER PIN	1
7	SPH54P-07	* O-RING	1
8	SPH54P-08	* BACKUP RING	2
9	SPH54P-09	* O-RING	2
10	SPH54P-10	* U-RING	1
11	SPH54P-11	* O-RING	2
12	SPH54P-12	END CAP	1

#	Part No	Description	Qty
13	SPH54P-13	SCREW	8
14	SPH54P-13	FIXUP SCREW	8
15	SPH54P-15	TIGHTENING SCREW	8
16	SPH54P-16	SWIVEL (BACK)	2
17	SPH54P-17	* O-RING	6
18	SPH54P-18	CIRCLE CLIP	2
19	SPH54P-19	SWIVEL (TOP) ASSY	1
20	SPH54P-20	BALL	1
21	SPH54P-21	BALL SEAT	1
22	SPH54P-22	SPRING	1

#	Part No	Description	Qty
23	SPH54P-23	SCREW	1
24	SPH54P-24	¼" NIPPEL OUTER THREAD	2
25	SPH54P-25	¼" MALE COUPLER OUTER THREAD	1
25B	SPH54P-25B	¼" FEMALE COUPLER OUTER THREAD	1
26	SPH54P-26	SCREW	1
27	SPH54P-27	SCREW WITH SPRING	1
28	SPH54P-28	LINK PIN	1
31	SPH54P-31	SCREW	1
32	SPH54P-00	SEAL KIT	1



#	Part No	Description	Qty
1	SPH54C-01	RIGHT SIDE PLATE	1
2	SPH54C-02	LEFT SIDE PLATE	1
3	SPH54C-03	DRIVE PLATE	1
4	SPH54C-04	DRIVE PIN	1
5	SPH54C-05	SPRING	1
6	SPH54C-06	HEX RATCHET	1

#	Part No	Description	Qty
7	SPH54C-07	DRIVE SEGMENT	1
8	SPH54C-08	UPPER SPACER	1
10	SPH54C-10	LOWER SPACER	1
11	SPH54C-11	FIX ROTOR	2
12	SPH54C-12	COPPER SLEEVE	1
13	SPH54C-13	SHROUD	1

#	Part No	Description	Qty
14	SPH54C-14	SPRING	1
15	SPH54C-15	SIDE PLATE SCREW	4
16	SPH54C-16	SIDE PLATE SCREW	4
17	SPH54C-17	SCREW FOR SHROUD	2
18	SPH54C-18	PIN	1